

mira
escape



Mira Escape Thermostatic Electric Shower
Installation & User Guide

These instructions are to be left with the user

Spray Action

The handset spray head has four different spray actions:- start, combination, calm, combination and blast setting. The handset operation is described below.

1. **Eco**

To access the eco setting, turn the spray plate fully clockwise. Water will flow from the outer set of holes and the flow rate will be reduced.



2. **Start**

To access the start setting turn the spray plate anticlockwise until it 'clicks' (one click from the eco setting). Water will flow from the outer set of holes.



3. **Soothe**

To access the soothe setting turn the spray plate anticlockwise until it 'clicks' (two clicks from the eco setting). Water will flow from the large diameter holes.



4. **Force**

To access the force setting turn the spray plate anticlockwise until it 'clicks' (three clicks from the eco setting). Water will flow from the inner set of holes.

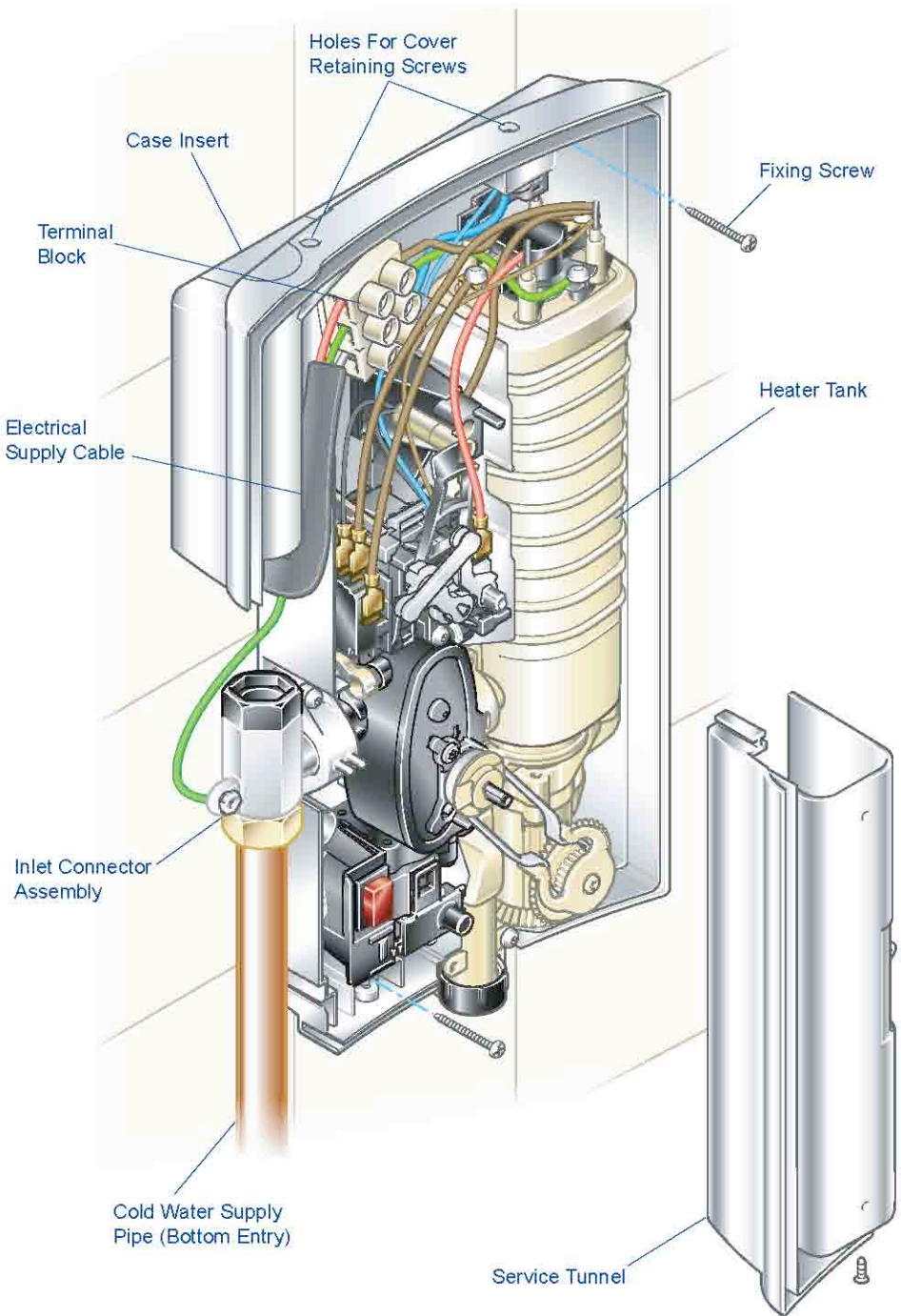


2 Installation of Shower Fittings

- ▶ Decide on a suitable position for the slide bar avoiding buried cables and pipes.
- ▶ Drill the two 7.0 mm fixing holes for the slidebar at 600 mm centres, avoiding any buried cables or pipes, and insert the wall plugs.
- ▶ Assemble the clamp bracket components. Push the plastic slidebar ends into the slidebar.
- ▶ Push the slidebar through the clamp bracket assembly, soapdish and hose retaining ring.
- ▶ Fit the bottom end support loosely to the wall. This will make aligning the top support easier. Insert the fixing screw into the countersunk hole of the plastic slide bar end and through the slidebar support.
- ▶ Place the screw through the top end support and fully tighten. Fully tighten the bottom end support.
- ▶ Fit the end support caps over the ends of the slidebar end supports.
- ▶ Screw the hose onto the handset and the outlet of the shower (Make sure the hose seals are fitted). **Do not overtighten.**
- ▶ Place the handset into the slidebar clamp bracket.

Note! The clamp bracket is tapered. The handset will only fit properly from one direction. If necessary turn the end of the clamp bracket until the handset will fit.

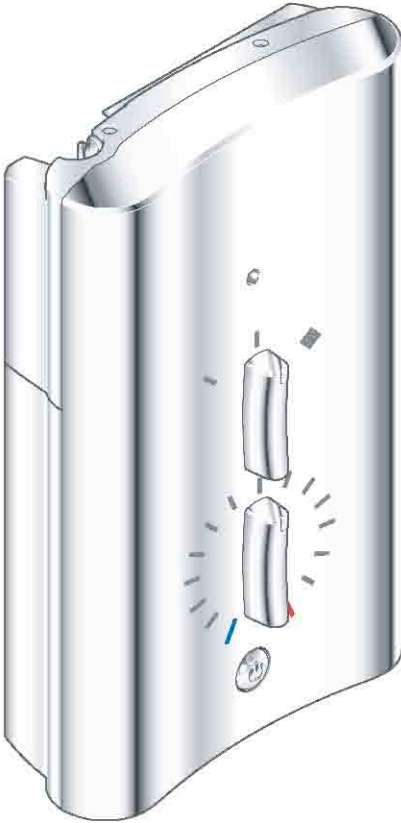
- ▶ If the clamp bracket pivots downwards under the weight of the handset the central securing screw in the bracket will require tightening to hold the handset in position.



Pack Contents Checklist

Mira Escape

Tick the appropriate boxes to familiarise yourself with the part names and to confirm that the parts are included.



1 x Mira Escape



2 x Case Inserts



1 x Olive



1 x Compression Nut



3 x Wall Plugs



3 x Fixing Screws

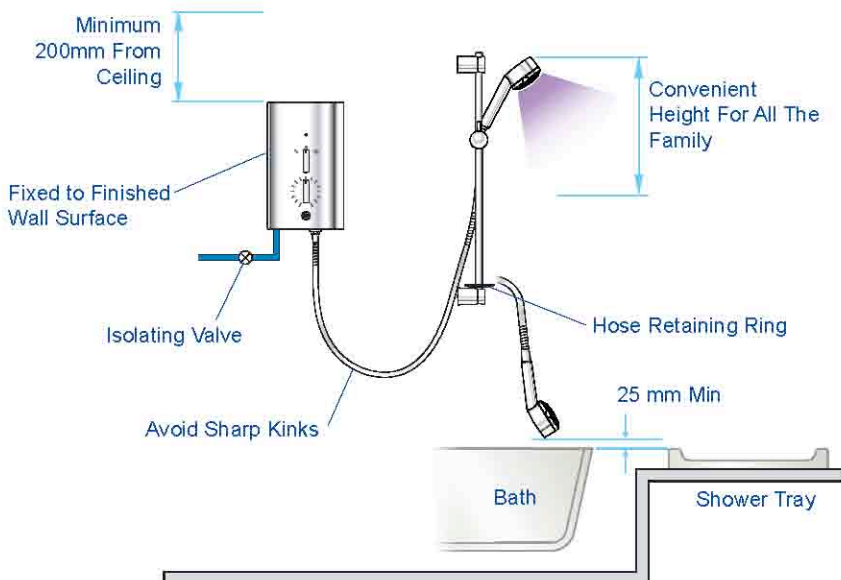
Documentation

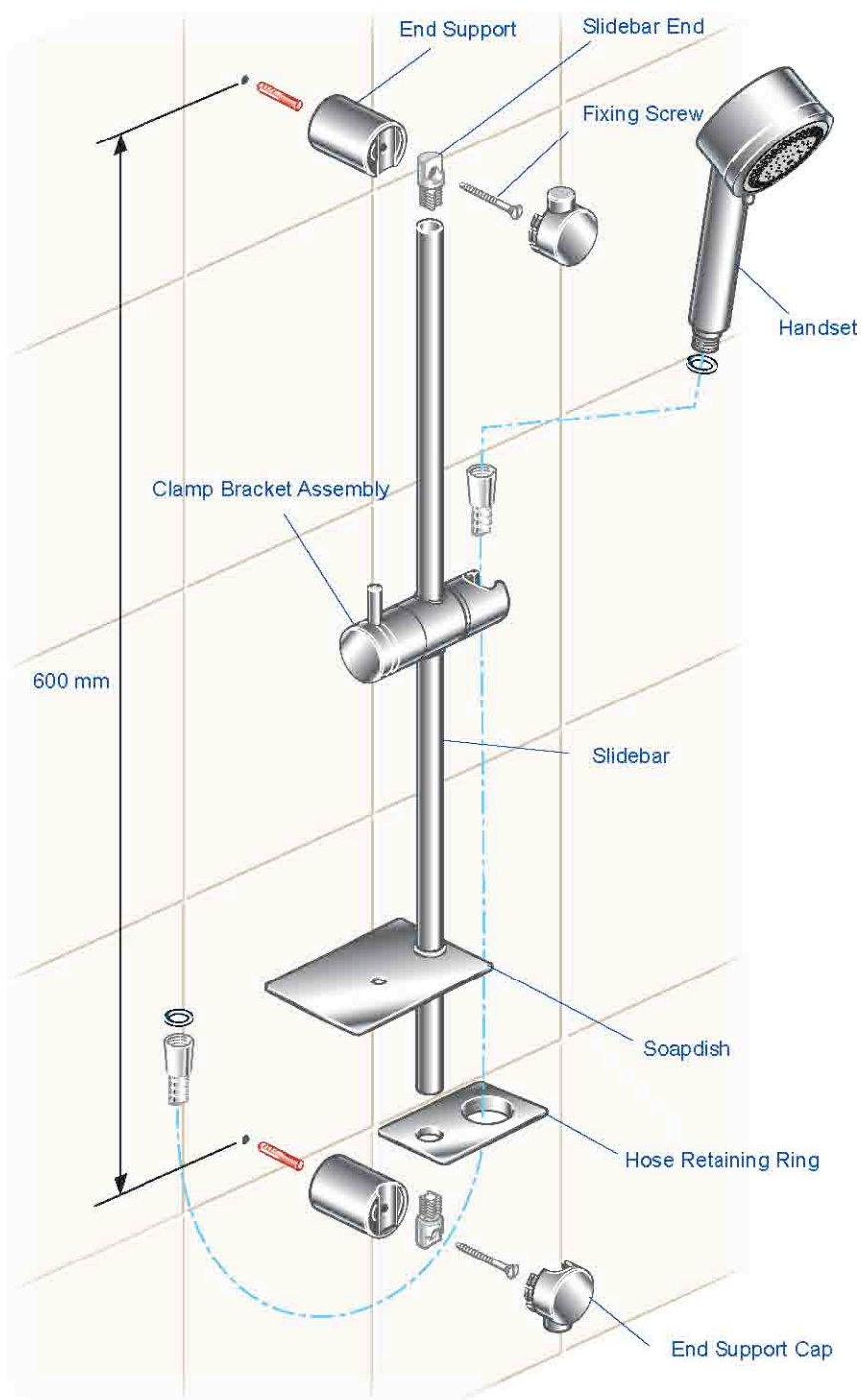
1 x Installation and User Guide

1 x Installation Template

1 x Installer Checklist

- Avoid layouts where the shower hose will be sharply kinked. This may reduce the life of the hose.
- A Soap Dish/Hose Retaining Ring is supplied to prevent the handset from dropping below the spill-over level of the bath or shower, which could lead to contamination from back-siphoning. The supplied Hose Retaining Ring should meet the great majority of user requirements for shower installations with flexible outlet fittings. However, there will be occasions when it will not provide a suitable solution. In these instances an outlet double checkvalve, e.g. a Mira DCV-H, **must** be fitted. This will increase the required supply pressure typically by 0.1 bar (see section "Accessories").
- Supply pipework **MUST** be flushed to clear debris before connecting to the appliance.
- To avoid damage to the case when soldered fittings are used, pre-solder the pipework and fittings before connecting them to the inlet connector assembly. Refrain from applying excessive force when making any connections. Always provide mechanical support when making the plumbing connections.
- The appliance is fitted with a brass inlet compression assembly for connecting to a 15mm supply pipe from the top, bottom or back. Double checkvalves, fitted in the inlet supply to the appliance, cause a pressure build-up, which could exceed the maximum static inlet pressure and damage the appliance.





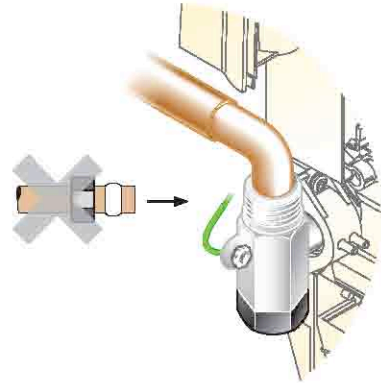
Contents

Introduction.....	3
Important Safety Information	4
Pack Contents Checklist.....	6
Specifications	8
Installation Requirements.....	8
Installation	11
Commissioning.....	17
Operation.....	18
Fault Diagnosis.....	20
Maintenance	22
Mira Escape Spare Parts List.....	24
Mira Escape Shower Fittings Spare Parts List	25
Customer Services	27

- ▶ Determine the direction of the inlet water supply: top (falling), bottom (rising), or back inlet .

- ▶ **Note!** Make sure that the back inlet does not go directly back into the wall. Use a soldered elbow.

- ▶ Swivel the inlet connector assembly to suit. Remove the inlet blanking cap. Avoid trapping the green earth bonding wire.



- ▶ Two case inserts are supplied with the Mira Escape, so that they can be trimmed to suit the supplies entering the product. Before fitting the cover, make sure that the case inserts are fitted.

- ▶ **Thoroughly flush the mains-fed cold water supply pipe. The supply must be clean and free from debris BEFORE connecting the Mira Escape.**

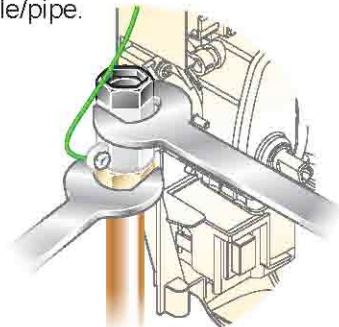
To flush the pipework, turn on the water supply and drain a minimum of 10 litres (2 gallons) of water into a bucket or catchment area. Turn off the water supply.

- ▶ An installation template is supplied to help you install the Mira Escape.

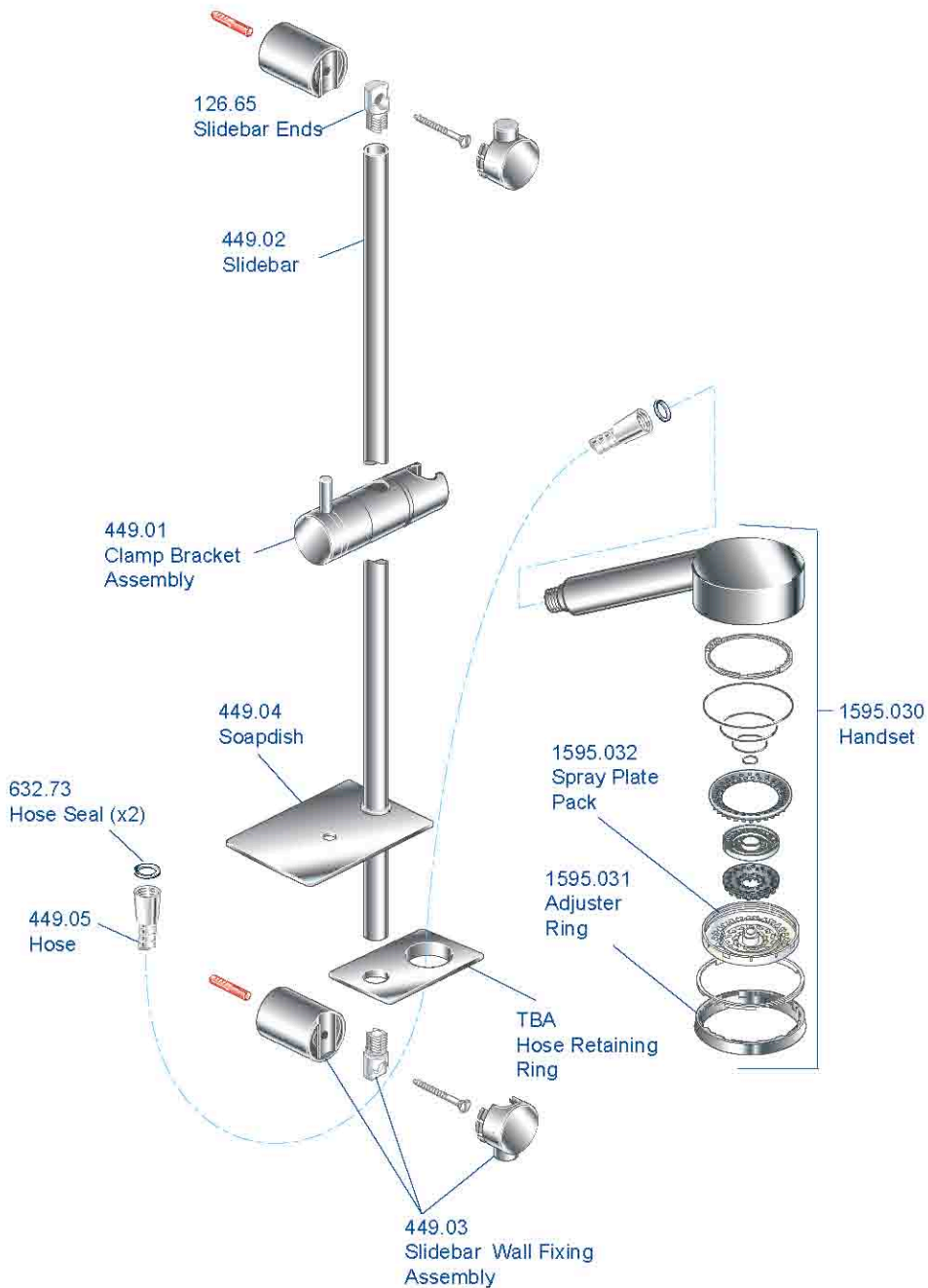
Put the installation template on the wall and mark through the positions of the fixing holes. Ensure the position of these holes do not come in line with any buried cables or pipework. Make sure that sufficient electrical supply cable is available for connection to the terminal block.

- ▶ Drill and plug the top two fixing holes. Secure the Mira Escape to the wall with the screws provided. Drill the bottom fixing hole with the product in place. Alternative fixings (not supplied) may be necessary for some wall structures. Avoid drilling into any supply cable/pipe.

- ▶ Install the mains-fed cold water supply pipe. Do not overtighten.



Mira Escape Shower Fittings Spare Parts List



Symptom	Power Light	Low Flow Light	Heater Setting Low/Medium/High	Probable Cause	Possible Remedy
Low or No flow	ON	ON	Any	Water supply pipework or inlet filter restricted by a blockage or partial blockage.	Flush supply pipe. Clean Inlet Filter.
	ON	ON	Any	Insufficient water supply pressure/flow for operation.	Contact local water company. Supply pressure must be a minimum of 0.7 bar. Note: If other appliances are operating, pressure may drop below 0.7 bar.
	ON	ON	Any	Other outlets (e.g. toilet, garden hose, washing machine, etc.) drawing water while the shower is being used.	Turn off other appliances whilst shower is in use.
	ON	OFF	Any	Handset blocked.	Remove and clean.
	ON	OFF	Any	Service tunnel or cover not fitted correctly causing Start/Stop button not to operate.	Check case inserts are cut and fitted correctly. Check services (electrical or plumbing) are not interfering with location of service tunnel or cover.
	ON	OFF	Any	Flow Valve faulty.	Replace.
	ON	OFF	Any	Heater Tank excessively scaled.	Replace. In hard water areas consider the use of a water softener.
Operation of Temperature control has little or no effect on water temperature.	ON	ON	II/III	Handset or Inlet Filter blocked.	Remove and clean.
	ON	OFF	II/III	Flow Valve faulty.	Replace.
	ON	OFF	II/III	Heater Tank failure.	Replace.
	ON	OFF	II/III	Microswitch failure.	Replace.

Notes

Important Safety Information

Installation must be carried out in accordance with these instructions, and must be conducted by designated, qualified and competent personnel.

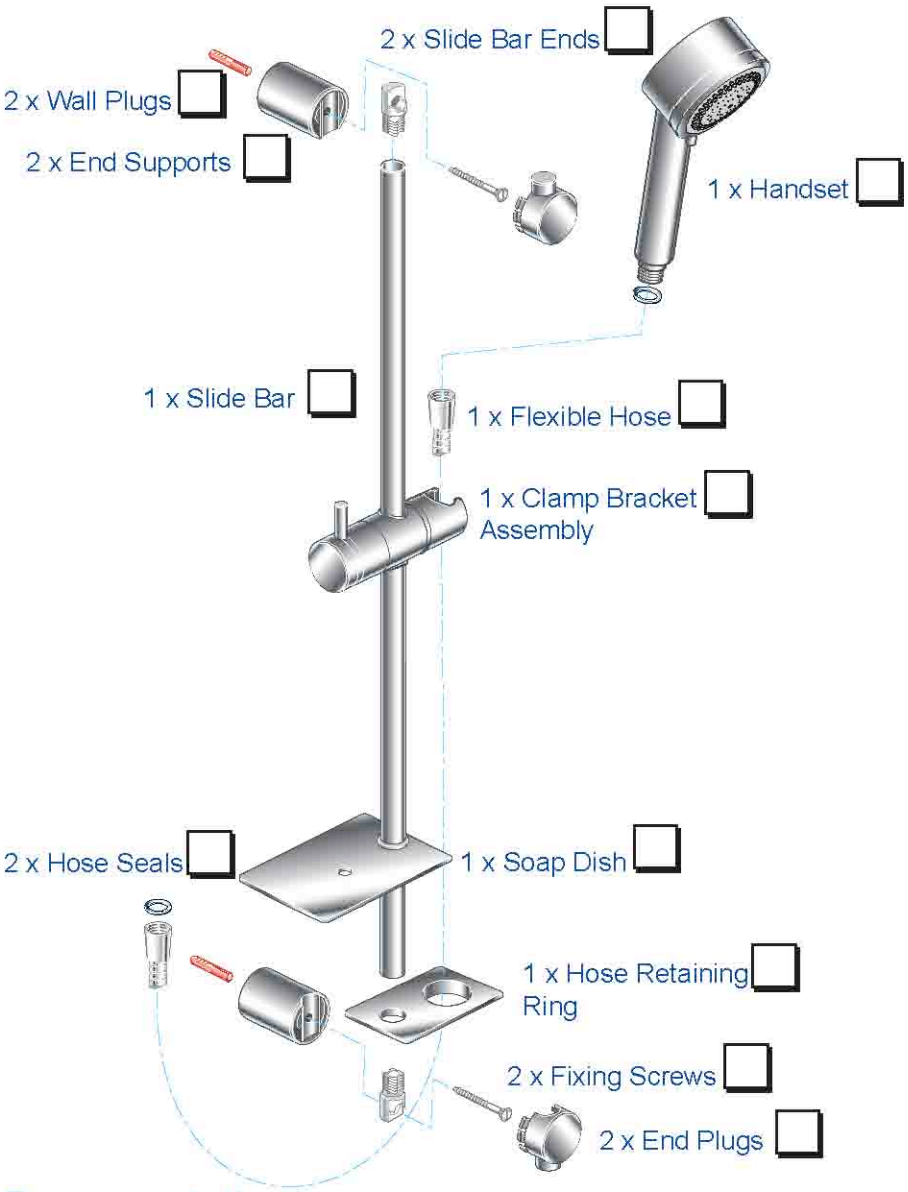
Warning!

Follow all warnings, cautions and instructions contained in this guide, and on or inside the appliance.

1. Products manufactured by us are safe and risk-free, provided that they are installed, used and maintained in good working order, in accordance with our instructions and recommendations.
2. Isolate the electrical and water supplies before commencing installation. The electricity must be turned off at the mains and the appropriate circuit fuse removed, if applicable.
3. Mains connections are exposed when the cover is removed.
4. Refer to the wiring diagram before making any electrical connections (refer to the wiring diagram at the back of the book).
5. Make sure that any pipework that could become frozen is properly insulated.
6. Having completed the installation, make sure that the user is familiar with the operation of the appliance.
7. Make sure that this guide is left with the user.
8. DO NOT commission this appliance if water leaks from the unit or the heater tank pressure relief valve.
9. DO NOT fit any form of outlet control as the outlet acts as a vent for the tank body. Only Mira recommended outlet fittings should be used.
10. Ensure all electrical connections are tight, to prevent overheating.
11. DO NOT operate this appliance if it is frozen. Allow the appliance to thaw before using. The shower unit must not be fitted where it may be exposed to freezing conditions.
12. This product is not suitable for areas with high humidity (i.e steam rooms). Please consult your installer.
13. THIS APPLIANCE MUST BE EARTHED. ENSURE SUPPLEMENTARY BONDING COMPLIES WITH THE "REQUIREMENTS FOR ELECTRICAL INSTALLATIONS".
In accordance with the current edition of 'The Plugs and Sockets etc. (Safety Regulations)' in force at the time of installation, this Mira Escape is intended to be permanently connected to the fixed electrical wiring of the mains system.
14. DO NOT fit any form of outlet flow restriction (trigger handset). Use only Mira recommended fittings.

Mira Escape Electric Shower Fittings

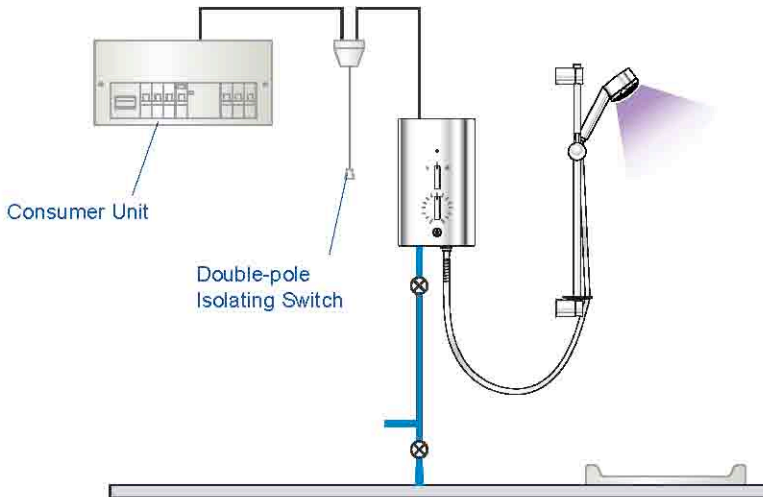
Tick the appropriate boxes to familiarise yourself with the part names and to confirm that the parts are included.



Documentation

1 x Installation and User Guide

- **DO NOT** turn-on the electrical supply until the plumbing has been completed.

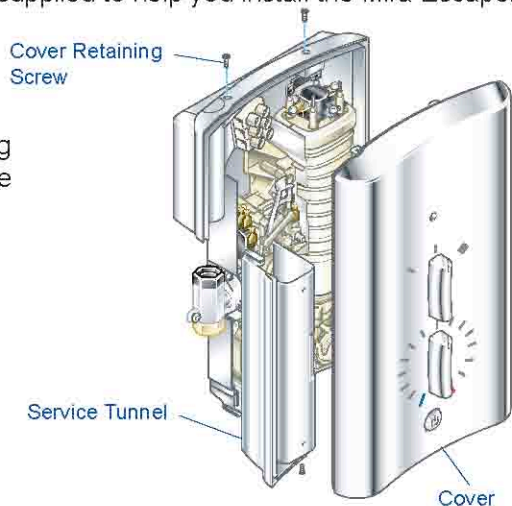


Installation

1 Installation of Mira Escape

- ▶ **Warning!** Turn off the electrical and water supplies before proceeding with the installation of the Mira Escape. The electricity must be turned off at the mains and the appropriate circuit fuse removed, if applicable.
- ▶ **Note!** An installation template is supplied to help you install the Mira Escape.

- ▶ Remove the three cover retaining screws, the cover and the service tunnel.



Symptom	Power Light	Low Flow Light	Heater Setting Low/Medium/ High	Probable Cause	Possible Remedy
No change in temperature between Low/Medium/High setting.	ON	ON	Any	Insufficient mains water pressure.	Contact local water company.
	ON	OFF	Any	Possible failure of Flow Valve, Microswitch, or Heater Tank.	Use a suitable continuity device to check the continuity of the Microswitch or Heater Tank and replace parts as necessary.
Water will not turn off.	ON	OFF	Any	Flow Valve, Solenoid, or Start/Stop switch faulty.	Replace as necessary.
	ON	ON	Any	Supply pressure below 0.2 bar.	Contact local water company. Check mains water static pressure.
Appliance fails to produce hot water when set on Medium/High Heater Setting.	ON	ON	II/III	Insufficient Water supply.	Contact local water company.
	ON	OFF	II/III	Possible failure of the microswitch or thermal switch.	Use a suitable continuity device to check the continuity of the Microswitch or Heater Tank and replace parts as necessary.
	ON	OFF	II/III	Heater Tank failure.	Replace.

Maintenance

Handset - Cleaning

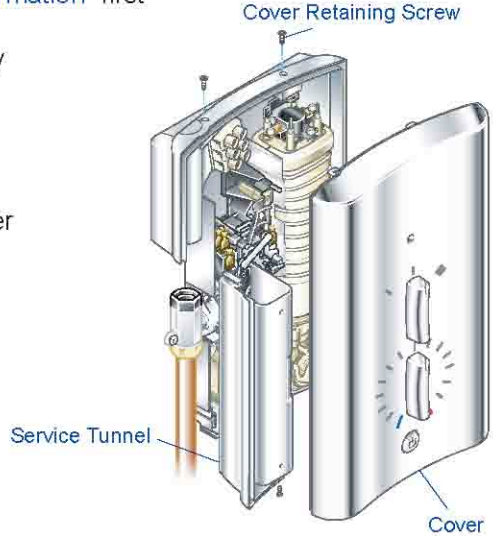
- ▶ Clean with mild washing up detergent or soap solution. Wipe dry with a soft cloth.
- ▶ Poor shower performance can be avoided by cleaning the spray plate. Use thumb or soft cloth to wipe rubber nozzles. The handset must also be descaled regularly.



Inlet Filter - Cleaning/Renewing

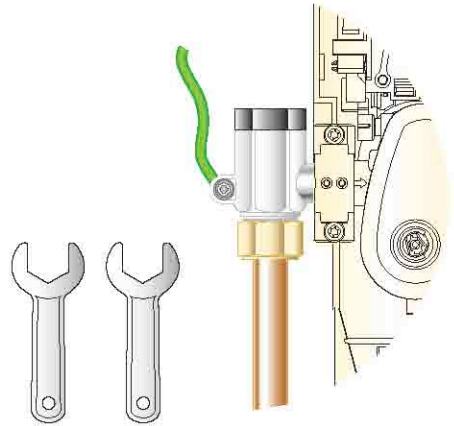
Read the section "Important Safety Information" first

- ▶ Make sure that the electrical supply is turned off at the mains and that the water supply is fully turned off.
- ▶ Remove the three screws, the cover and the service tunnel.

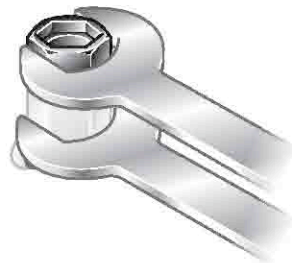


- ▶ Hold a wrench across the flats of the metal connector. Unscrew the filter using another wrench as shown. Clean or renew the Filter as necessary. Refit in reverse order making sure the Filter is screwed fully home.

Do not overtighten. Make sure plumbing connections are sealed before restoring electricity supply.



- ▶ Refit the Service Tunnel and Cover. Make sure they fit correctly. Do not overtighten screws.



2. Electrical

- In a domestic installation, the rating of the electricity supplier's fuse and the consumer unit must be adequate for the additional demand. All Mira electric showers are high power units, it is essential to contact your electricity supplier to ensure that the supply is adequate for the product. Voltage drop due to local heavy demand will reduce the shower's performance.
- The appliance **must be earthed** by connecting the supply-cable earth conductor to the earth terminal. Supplementary bonding: Within the bathroom or shower room, all accessible conductive parts of electrical equipment and extraneous conductive parts (metal parts) that are likely to introduce earth potential, must be electrically bonded to earth using a minimum cable size of 4.0 mm² if the cable is not mechanically protected, (2.5 mm² if mechanically protected).
- The minimum cable size (cross-sectional area) required is 6 mm² in accordance with BS 7671. **Important!** The shower circuit should be separated from other circuits by at least twice the diameter of the cable or conduit and it should not be run through thermally insulating material or in any location(s) where the ambient temperature is likely to exceed 30 °C. If any of these conditions are unavoidable it will be necessary to determine a cable size which will prevent damage to the cable caused by overheating.
- As a guide only, and in accordance with BS 7671 we recommend close circuit protection: i.e. 9.8 kW = 45 Amp

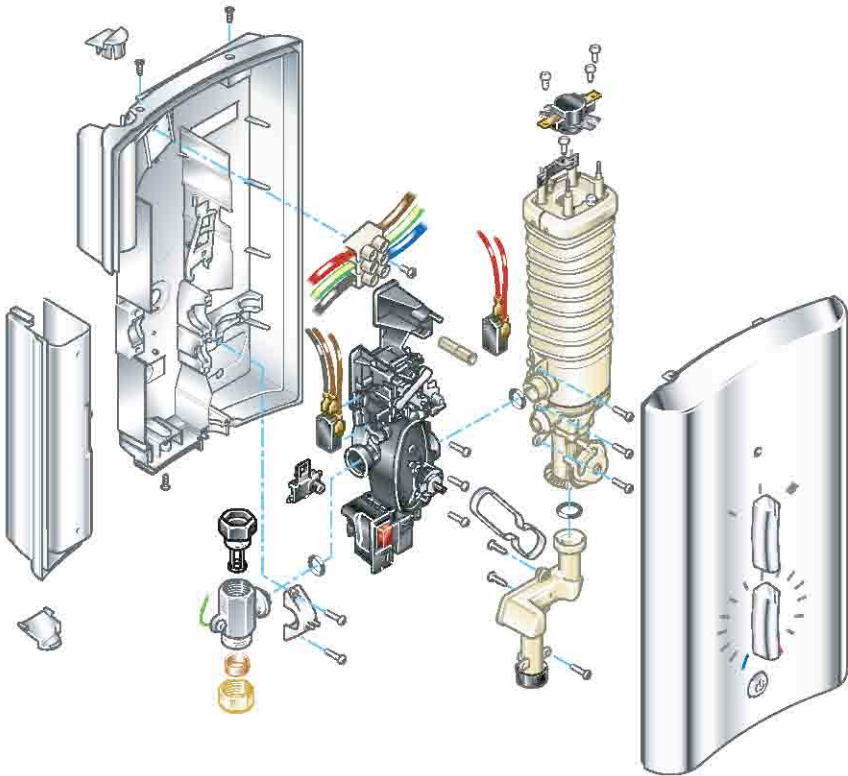
It is strongly recommended that a 30mA Residual Current Device (RCD) is included in the electrical circuit. This may be part of the consumer unit or a separate unit.

- A separate, permanently connected supply must be taken from the consumer unit to the appliance through a double-pole switch, which has at least 3 mm contact separation. The switch can be a ceiling mounted pullcord type within the shower room or a wall mounted switch in an adjacent room.
- **DO NOT** twist the individual cable cores of either the live or neutral conductors, as this will prevent them from entering the terminal block.
- **DO NOT** exert strain on the terminal block. Ensure that the electrical connections are tightly screwed down.

Caution!

1. Read all of these instructions and retain this guide for later use.
2. The electrical installation must comply to "BS 7671 - Requirements for Electrical Installations", commonly referred to as the IEE Wiring Regulations - Part 7, or any particular regulations and practices, specified by the local electricity supply company.
3. The plumbing installation must comply with the requirements of UK Water Regulations/Bye-laws (Scotland), Building Regulations or any particular regulations and practices, specified by the local water company or water undertakers.
4. Make sure that you fully understand how to operate this shower and make sure that it is properly maintained in accordance with the instructions given in this manual.
5. Anyone who may have difficulty understanding or operating the controls of any shower should be attended whilst showering. Particular consideration should be given to:
 - the young, the elderly, the infirm, the disabled, anyone who suffers from a medical condition that can result in temporary incapacity (e.g. epilepsy or blackouts), anyone inexperienced in the correct operation of the controls.
6. Sunburn or skin conditions can increase your sensitivity to hot water. Make sure that you set the shower to a cooler temperature.
7. If any of the following conditions occur, isolate the electricity and water supplies and refer to "To contact us", on the back page of this guide.
 - If the cover is not correctly fitted and water has entered the appliance case.
 - If the case is damaged.
 - If the appliance begins to make an odd noise, smell or smoke.
 - If the appliance shows signs of a distinct change in performance, indicating a need for maintenance.
 - **DO NOT** operate this appliance if water leaks from this appliance.
8. When this appliance has reached the end of its serviceable life, it should be disposed of in a safe manner, in accordance with current local authority recycling, or waste disposal policy.

Mira Escape Spare Parts List



Accessories

DCV-H: An outlet double check valve, designed to prevent the backflow or backsiphonage of potentially contaminated water, through shower controls which are fitted with a flexible hose as part of the outlet shower fitting. Available as an optional accessory from your Mira Showers stockists.



Customer Services

Guarantee of Quality

Mira Showers guarantee your product against any defect in materials or workmanship for the period shown in the Guarantee Registration Document included with your shower.

Alternatively, to confirm the applicable guarantee period please contact Customer Services.

To validate the guarantee, please return your completed registration card.

Within the guarantee period we will resolve defects, free of charge, by repairing or replacing parts or modules as we may choose.

To be free of charge, service work must only be undertaken by Mira Showers or our approved agents in Northern Ireland and Republic of Ireland.

Service under this guarantee does not affect the expiry date. The guarantee on any exchanged parts or product ends when the normal product guarantee period expires. Not covered by this guarantee:

Damage or defects arising from incorrect installation, improper use or lack of maintenance, including build-up of limescale.

Damage or defects if the product is taken apart, repaired or modified by any person not authorised by Mira Showers or our approved agents.

This guarantee is in addition to your statutory and other legal rights.

Before using your shower

Please take the time to read and understand the operating and safety instructions detailed in this manual.

What to do if something goes wrong

If when you first use your shower it doesn't function correctly, first contact your installer to check that installation and commissioning are satisfactory and in accordance with the instructions in this manual. We are on-hand to offer you or your installer any advice you may need.

Should this not resolve the difficulty, simply contact our Customer Services who will give every assistance, and if necessary arrange for our service engineer to visit.

If later the performance of your shower declines, consult this manual to see whether simple home maintenance is required. Please call our Customer Services to talk the difficulty through, request service under guarantee if applicable, or take advantage of our comprehensive After-Sales service.

As part of our quality and training programme calls may be recorded or monitored.

Our Customer Services Team is comprehensively trained to provide every assistance you may need: help and advice, spare parts or a service visit.

Spare Parts

We maintain an extensive stock of spares, and aim to have functional parts available for ten years from the date of final manufacture of the product.

Spares can be purchased from approved stockists or merchants (locations on request) or direct from Customer Services.

Spares direct will normally be despatched within two working days. Payment can be made by Visa or Mastercard at the time of ordering. Should payment by cheque be preferred a pro-forma invoice will be sent.

Note! In the interests of safety, spares requiring exposure to mains voltages can only be sent to competent persons.

Service

Our Service Force is available to provide a quality service at a reasonable cost. You will have the assurance of a Mira trained engineer/agent, genuine Mira spares – and a 12 month guarantee on the repair.

Payment should be made directly to the Service Engineer/Agent, using Visa, Mastercard or a cheque supported by a banker's card.

To contact us

England, Scotland & Wales
Mira Showers Customer Services

Telephone: 0870 241 0888

8:30 am to 5:00 pm Working days (4:30 pm Friday)

8:30 am to 12:30 pm Saturday

E-mail: technical@mirashowers.com

Fax: 01242 282595

By Post: Cromwell Road

Chellenham

Gloucestershire

GL52 5EP

Northern Ireland

Wm H Leech & Son Ltd

Telephone: 028 9044 9257 – Mon to Fri 9 am-5pm

Fax: 028 9044 9234 – 24 hours

Post: Maryland Industrial Estate

Ballygowan Road

Moneyreagh, Co Down

BT23 6BL

Republic of Ireland

Modern Plant Ltd

Telephone: 01 4591344 – Mon to Fri 9am to 5pm

Fax: Dublin 01 4592329 – 24 hours

Post:

Otter House

Naas Road

Clondalkin

Dublin 22

Commissioning



- ▶ Make sure that the electrical supply is turned off at the mains
- ▶ Turn the 'Temperature' Selector to Full Cold
- ▶ Turn the water supply fully on.
- ▶ Check for water leaks.
- ▶ Set the 'Power' selector to 'I'.
- ▶ Switch on the electrical supply.
- ▶ Press the 'Start/Stop' pushbutton.
- ▶ Water will start to flow at a cool temperature after a few seconds.
- ▶ Set the 'Power' selector to 'II'.
- ▶ The temperature will rise slightly.
- ▶ Set the 'Power' selector to 'III'.
- ▶ The temperature will rise further.
- ▶ Turn the 'Temperature' Selector as required. The flow rate will adjust automatically.
- ▶ Press the 'Start/Stop' pushbutton and isolate the power.
- ▶ The shower will purge water from its tank for a few seconds.
- ▶ Residual water may drain over a few minutes.

Note! A slight hissing sound may be heard from the Mira Escape during operation. High mains water pressure and high shower temperatures will affect the tone. This is quite normal in use.

Specifications

1. Plumbing

- Minimum maintained inlet pressure 70 kPa (0.7 bar).
100 kPa (1.0 bar) recommended for satisfactory operation.
- Maximum static inlet pressure 1000 kPa (10 bar).
- Minimum static pressure 20 kPa (0.2 bar) to keep the flow valve closed.

2. Electrical

- The Mira Escape 9.8kW requires a 45 Amp fuse.
- The terminal block will accept cable up to 16 mm².

3. Standards and Approvals

- The Mira Escape complies with all relevant directives for CE marking.

Installation Requirements

1. Plumbing

- The appliance is designed to operate with a minimum maintained inlet pressure of 0.7 bar up to a maximum static inlet pressure of 10 bar. When installed in very hard water areas (above 200 ppm temporary hardness) your installer may advise the installation of a water treatment device, to reduce the effects of limescale formation. Your local water company will be able to advise the hardness of water in your area.
- It is recommended that a non-restrictive (free flowing) isolating valve is fitted in the cold water supply pipe to allow the complete maintenance of the appliance. Do not use a valve with a loose washer plate (jumper) as this can lead to a build up of static pressures.
- The appliance is suitable for installation within the shower area. It is fitted with a pressure relief device and must be positioned over a water catchment area with the controls at a convenient height for all users.
- The appliance must be fitted on to a finished flat and even wall surface (this wall surface should be tiled or waterproofed). **Do not** fit the appliance to the wall and tile up to the case. For safety requirements, an air gap must be left behind the appliance.



Mira Showers
Kohler Mira Ltd
Cromwell Road,
Cheltenham GL52 5EP.

Mira is a registered trade mark of
Kohler Mira Limited.
The company reserves the right to alter
product specifications without notice.
www.mirashowers.com



mira
escape

Fault Diagnosis

The trouble shooting information tabled below gives details on probable causes and remedies should difficulties be encountered whilst the shower is in operation. Warning! There are no user serviceable components beneath the cover of the appliance.

ONLY A COMPETENT TRADESPERSON SHOULD REMOVE THE FRONT COVER!

Symptom	Power Light	Low Flow Light	Heater Setting I/II/III	Probable Cause	Possible Remedy
Appliance fails to operate.	OFF	OFF	Any	Electrical supply isolated at double pole switch.	Switch on electrical supply via the pullcord or wall mounted switch.
	OFF	OFF	Any	Fuse blown or MCB/RCD tripped, indicating possible electrical fault.	Renew the fuse or reset the MCB/RCD. If fault persists, contact your installer.
Shower cycles from hot to cold.	ON	ON	II/III	Handset blocked.	Remove and clean.
	ON	ON	II/III	Water pressure below minimum required for appliance operation.	Make sure incoming mains water stopcock and/or appliance isolating valve is fully turned on.
	ON	ON	II/III	Temperature dial or Heater setting too high.	Turn the Heater Selector knob to Medium setting or turn the Temperature control until a cooler temperature is achieved.
Unable to select a cool enough shower.	ON	OFF	III	Due to the rise in mains water supply temperature, the Heater setting may be too high.	Turn the Heater Selector knob to Medium and adjust the Temperature control until a suitable temperature is achieved.
Handset dripping.	OFF	OFF	Any	Insufficient Water supply pressure for shut off.	The minimum static pressure to ensure shut off and prevent dripping is 0.2 bar. Note: If other appliances are operating, static pressure may drop below 0.2 bar. Contact local water company. Renew the Flow Valve.
	OFF	OFF	Any	Flow Valve faulty	Replace.

Introduction

Thank you for purchasing a quality Mira product. To enjoy the full potential of your new product, please take time to read this guide thoroughly. Having done so, keep it handy for future reference.

The Mira Escape Thermostatic is an electric shower with separate controls for power selection and temperature/flow adjustment. A unique thermostatic valve stabilizes temperature changes caused by water pressure fluctuations. These can result from taps being turned on or off, or toilets being flushed. Individual lights indicate "START/STOP" and "LOW FLOW".

The Mira Escape comes complete with a set of Mira Escape Shower Fittings.

Mira Escape 9.8 kW

A 9.8 kW 240 V AC (9.0 kW 230 V AC) heater with Mira Escape adjustable spray handset with four different spray actions (start, soothe, force and eco*). Supplied complete with flexible hose, clamp bracket assembly, slide bar, supports, hose retaining ring and soap dish. Available in chrome and satin chrome finish.

* The eco setting reduces the water flow to give economical use of water, whilst still giving an adequate shower performance. This setting performs best with most gravity, pumped, and mains pressure unvented systems. On electric showers and some combination boiler systems the economy setting will have no effect, and will give the same spray action as the start setting.

If you experience any difficulty with the installation or operation of your new shower, then please refer to the Fault Diagnosis section, before contacting Kohler Mira Ltd. Our telephone and fax numbers can be found on the back cover of this guide.

Operation

Warning! Non-Thermostatic electric showers can produce very hot water. Do not enter the shower until you have followed this procedure.

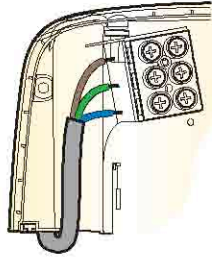
Caution! Always check the shower temperature before entering the shower. The previous user may have selected a different temperature



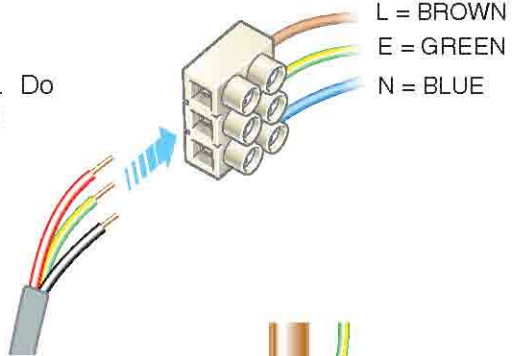
- ▶ Switch on the Shower at the pull cord.
- ▶ Select the power setting (I - cool, II - half power, III - full power).
- ▶ Turn the temperature selector to the coolest setting.
- ▶ Turn the shower on and check the water temperature is stabilized after approximately 10 Seconds with your hand.
- ▶ If you require the temperature to be hotter, slowly adjust the temperature setting and wait until the desired temperature is reached.
- ▶ If you cannot achieve the desired temperature you may need to adjust the power setting.
- ▶ Finally check the water temperature before you enter the shower.
- ▶ Caution! Never change the power setting or the temperature whilst you are under the shower.
- ▶ At the end of your shower press the 'Start/Stop' pushbutton.

Note! At the end of every shower make sure that the shower head points into the catchment area. A small amount of water may be retained in the shower handset after the shower has been turned off. This may drain over a few minutes.

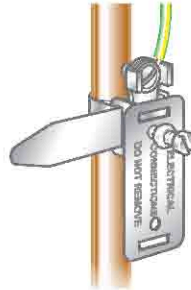
- ▶ Feed cable into Case. Fit Earth sleeve (not supplied) and strip insulation. Do not twist cable cores.



- ▶ Firmly connect the conductors. Do not exert strain on the terminal block.



- ▶ If necessary, fit an earth bonding clamp to the copper supply pipe and ensure bonding complies with the relevant regulations in force at the time of installation.



- ▶ Refit the Service Tunnel and Cover. Make sure they fit correctly. Do not overtighten screws.

Do not use alternative screws to secure the Cover. This can cause internal damage to the appliance. Do not seal around the back of appliance.

Cover Retaining Screw

